

## FOAM MAKERS

# HARDWARE



### **Features**

***Stainless steel construction for corrosive environments***

***Air inlets covered with stainless steel mesh to protect against blockage and damage***

***Inlet orifice machined and sized to match specific flow and pressure rates***

***Multiple sizes available***

***Supplied with Standard NPT threaded female inlet and male outlet***

### **Description**

SOLBERG® Foam Makers (SFM) are available in various models with nominal flow rates ranging from 6 - 300 gpm (25 - 1136 lpm) at 30 - 150 psi (2 - 10 bar) with threaded inlets and outlets. The stainless steel discharge tube incorporates a mixing barrel, an orifice plate (sized for the required flow at a given pressure) and an air

inlet to allow air into the foam solution stream to generate expanded foam. The foam maker is normally installed in the line of a semi-fixed or fixed foam fire protection system.

### **Application**

SOLBERG Foam Makers are air-aspirating foam discharge devices used primarily for the protection of the seal area of open top floating roof storage tanks and dike areas around storage tanks. Additional applications include protection of spill hazards and diked flammable liquid storage areas.

Foam Makers are used with numerous types of proportioning systems including atmospheric tanks, bladder tanks, balanced pressure pump proportioning systems or line proportioners.

SOLBERG Foam Makers can be used with RE-HEALING and ARCTIC foam concentrates for the suppression of Class B flammable liquids.



### **Flow Range**

The flow rate of a SOLBERG Foam Maker is determined by the orifice size and inlet pressure. The flow rates listed in the following table are based on the minimum operating pressure of 30 psi (2 bar) and the maximum operating pressure of 150 psi (10 bar) required for satisfactory operation\*.

### **Certifications**

FM Approved per Approval Standard 5130 (\*see FM Approval Guide).

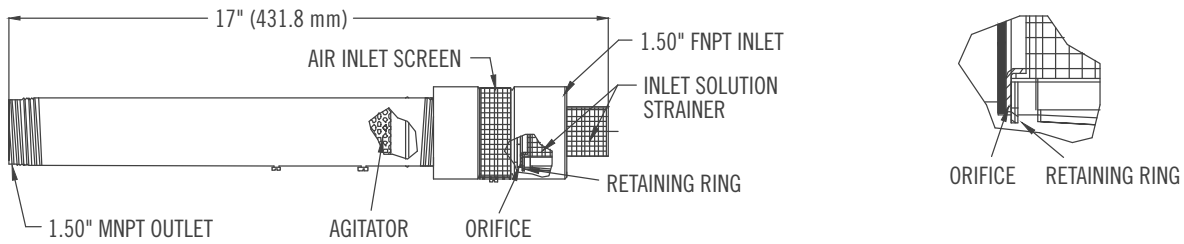
***SOLBERG is a member of PERIMETER SOLUTIONS, a global producer of leading fire retardant, gel and foam brands with a singular purpose: revolutionize the course of fire suppression technology with safer, more effective and more sustainable solutions. Together, we are Moving Industries Forward by Redefining Fire Suppression. [www.solbergfoam.com](http://www.solbergfoam.com)***

**Dimensional Information**

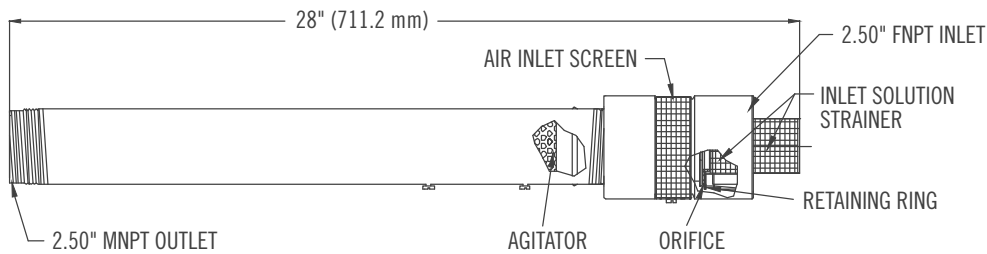
MODEL	CONCENTRATE	FLOW RATE (MIN - MAX)	PRESSURE (MIN - MAX)	APPROXIMATE DIMENSIONS Inches (Millimeters)		
				INLET	OUTLET	LENGTH
SFM - 1.5	RE-HEALING RF3, 3%	34 - 68 gpm (129 - 257 lpm)	40 - 150 psi (3 - 10 bar)	1.5 (38)	1.5 (38)	17.0 (432)
SFM - 2.5†		102 - 197 gpm (386 - 746 lpm)	40 - 150 psi (3 - 10 bar)	2.5 (64)	2.5 (64)	28.0 (711)
SFM - 1.5*	ARCTIC 3x3% ATC	35 gpm (132 lpm)	42 psi (3 bar)	1.5 (38)	1.5 (38)	17.0 (432)
SFM - 1.5*		60 - 75 gpm (227 - 284 lpm)	100 - 150 psi (7 - 10 bar)	1.5 (38)	1.5 (38)	17.0 (432)
SFM-DT30, 1.5		25 - 56 gpm (95 - 212 lpm)	98 - 150 psi (7 - 10 bar)	1.5 (38)	1.5 (38)	17.0 (432)
SFM - 2.5		N/A	N/A	2.5 (64)	2.5 (64)	28.0 (711)
SFM-DT30, 1.5	ARCTIC 3x3% CG ATC	20 gpm (76 lpm)	150 psi (10 bar)	1.5 (38)	1.5 (38)	17.0 (432)

**Note:** † non-UL Listed, non-FM Approved. \* FM Approval Guide hydrocarbon fuels only.

**MODEL SFM-1.5**



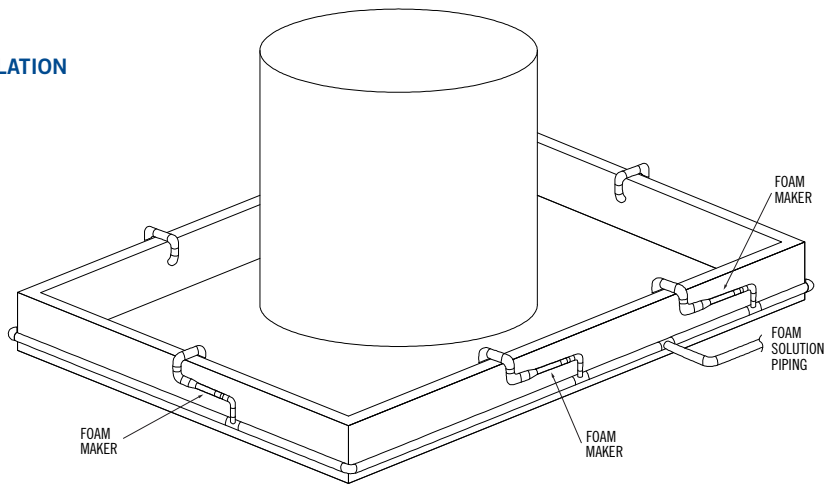
**MODEL SFM-2.5**



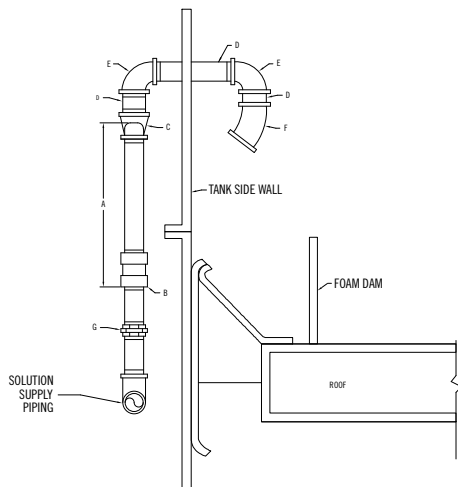
MODEL	"K" FACTOR RANGE
SFM-1.5	1.8 - 12.2
SFM-2.5	18.2 - 24.49
SFM-DT30, 1.5	2.5 - 4.6



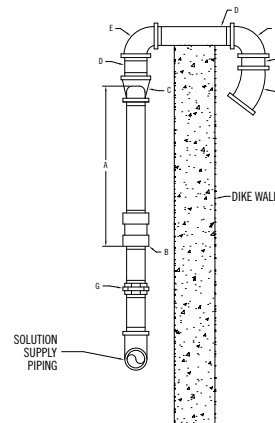
**TYPICAL DIKED PROTECTION INSTALLATION**



**FLOATING ROOF TANK INSTALLATION**



**DIKED AREA INSTALLATION**



**APPROXIMATE DIMENSIONS Inches (Millimeters)**

A	B	C	D	E	F	G
SFM - 1.5 (38)	1.5 - 11.5 (38-292) NPT	1.5 x 2.5 (38 x 64) Red. Coup.	2.5 (64) Nipple	2.5 (64) 90° Elbow	2.5 (64) 45° Elbow	1.5 (38) Union
SFM - 2.5 (64)	2.5 - 8 (64-203) NPT	2.5 x 4 (64 x 102) Red. Coup.	4 (102) Nipple	4 (102) 90° Elbow	4 (102) 45° Elbow	2.5 (64) Union
SFM-DT30, 1.5 (38)	1.5 - 11.5 (38 - 292) NPT	1.5 x 2.5 (38 x 64) Red, Coup.	2.5 (64) Nipple	2.5 (64) 90° Elbow	2.5 (64) 45° Elbow	1.5 (38) Union

*Note: This information provides only general guidelines. Each installation may require modifications to meet specific requirements or application(s). The Solberg Company reserves the right to change any portion of this information without notice.*

**Ordering Information**

PART NO.	DESCRIPTION	APPROXIMATE SHIPPING WEIGHT	
		lb	kg
32154	Foam Maker, Model SFM-1.5	7	3
32155	Foam Maker, Model SFM-2.5	8	4
32156	Foam Maker, Model SFM-DT30, 1.5	7	3



**NOTICE:** Perimeter Solutions makes no representations or warranties as to the completeness or accuracy of the information included herein. The information contained herein is not intended to provide regulatory, legal or expert advice relating to the products, its application or uses. Nothing contained herein is to be construed as a recommendation to use any product, process, equipment or formulation in conflict with any industrial property or intellectual property rights, and Perimeter Solutions makes no representation or warranty, express or implied, that the use thereof will not infringe on any industrial property or intellectual property rights. NO REPRESENTATIONS OR WARRANTIES, EITHER EXPRESSED OR IMPLIED, OF MERCHANTABILITY, FITNESS FOR A PARTICULAR PURPOSE OR OF ANY OTHER NATURE ARE MADE HEREUNDER WITH RESPECT TO THE INFORMATION CONTAINED HEREIN.

SOLBERGFOAM.COM

FORM NUMBER F-2012025-4

COPYRIGHT © 2014. ALL RIGHTS RESERVED.  
SOLBERG, RE-HEALING AND ARCTIC ARE TRADEMARKS  
OF PERIMETER SOLUTIONS OR ITS AFFILIATES.

**AMERICAS**

PERIMETER SOLUTIONS, LP  
1520 Brookfield Avenue  
Green Bay, WI 54313  
USA  
Tel: +1 920 593 9445

**EMEA**

PERIMETER SOLUTIONS, LP  
Poligono de Baiña, Parcela 23  
33682 Mieres (Asturias)  
Spain  
Tel: +34 985 24 29 45

**ASIA PACIFIC**

PERIMETER SOLUTIONS, LP  
3 Charles Street  
St. Marys NSW 2760  
Australia  
Tel: +61 2 9673 5300