

VARIABLE RANGE PUMP PROPORTIONER

HARDWARE



Features

Bronze and stainless steel material construction for performance and durability

Fresh, sea and brackish water compatible

Horizontal or vertical mounted position

Description

The SOLBERG® Variable Range Pump Proportioner is a foam solution proportioning device, designed to accurately proportion the foam concentrate into the water stream at both high and low system flow rates. The SOLBERG Variable Range Pump Proportioner is designed as an integral component of the SOLBERG foam pump proportioning system.

The SOLBERG Variable Range Pump Proportioner complies with NFPA 30, the Flammable and Combustible Liquids Code, Paragraph 16.5.1.6.2, which states that foam/water sprinkler systems are to provide foam solution to operating sprinklers with 4 sprinklers flowing. The SOLBERG Variable Range Pump Proportioner meets this Code requirement.

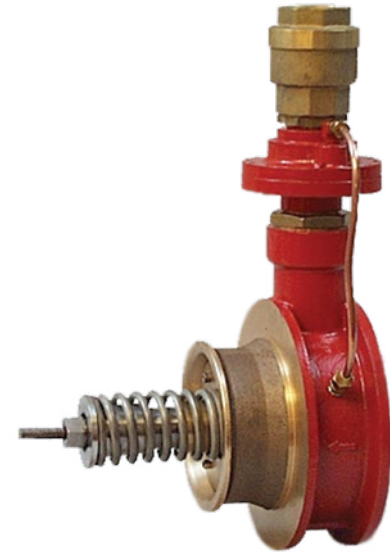
Application

The SOLBERG Variable Range Pump Proportioner is designed for systems where proportioning of foam concentrate will begin at low flow rates, but as additional sprinklers operate, the proportioner will automatically adjust for the changes in system flow rates and maintain accurate foam concentrate proportioning. Considering that the fire data shows that only 4 to 5 sprinklers will be necessary to control the flammable liquid fire risks, the SOLBERG Variable Pump Range Proportioner is the perfect solution for low system flow proportioning.

The primary applications for the SOLBERG Variable Range Pump Proportioner include closed-head foam/water sprinkler systems, protecting risks such as flammable and combustible liquid storage rooms, chemical processing, loading racks, aircraft hangars, and tank farm protection systems using foam chambers.

Specifications

The SOLBERG Variable Range Pump Proportioner is acceptable for use with SOLBERG foam concentrates, when



used as an integral component of a SOLBERG foam pump proportioning system. The SOLBERG Variable Range Pump Proportioner is designed to be installed as a between-the-flange proportioner, in standard 6.0" (152 mm) or 8.0" (203 mm) system piping. The foam concentrate inlet is 2.0" (51 mm) or 2.5" (64 mm) BSP female pipe size depending on the proportioner size selected.

The proportioner will accurately proportion foam concentrate at flow rates between 18 to 1,850 gpm (70 to 7000 lpm) for 6.0" (152 mm), and between 40 to 3,963 gpm (150 to 15000 lpm) for 8.0" (203 mm) sizes^[1].

^[1] The unit will operate with higher flows if the foam system can accept a higher pressure loss.

SOLBERG is a member of PERIMETER SOLUTIONS, a global producer of leading fire retardant, gel and foam brands with a singular purpose: revolutionize the course of fire suppression technology with safer, more effective and more sustainable solutions. Together, we are Moving Industries Forward by Redefining Fire Suppression. www.solbergfoam.com



The SOLBERG Variable Range Pump Proportioner is manufactured using a bronze body and cone shaped piston, stainless steel spring, and stainless steel foam metering orifice. The SOLBERG Variable Range Pump Proportioner is to be installed with a minimum of 5 pipe diameters (30.0" (762 mm)) of straight pipe both upstream and downstream of the proportioner. The proportioner body is

cast with a directional flow arrow on the proportioner body indicating the proper orientation of installation.

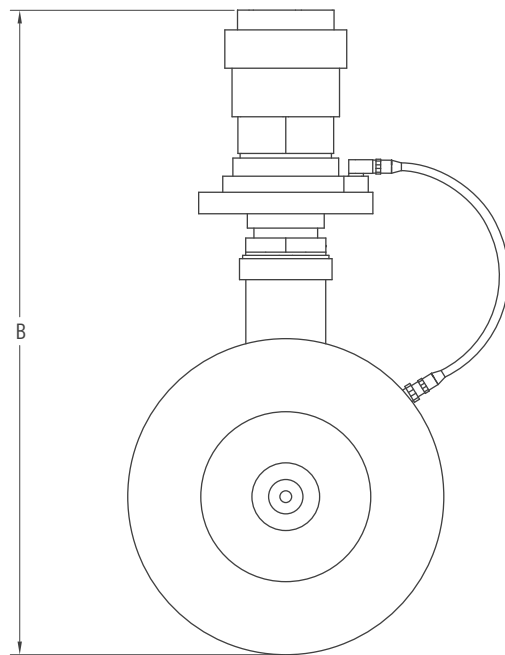
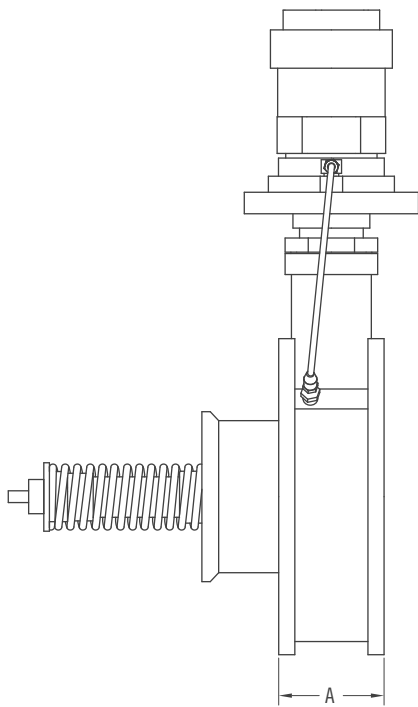
The SOLBERG Variable Range Pump Proportioner operation in closed-head sprinkler systems is as follows:

Under static, no flow conditions in the water supply piping, the water and foam concentrate pressures are equal. During a fire situation as sprinklers

begin to open, the foam concentrate is injected into the water supply through the foam concentrate metering orifice at the proper listed solution rate.

As more sprinklers begin to operate, the change in foam-water solution demand is automatically adjusted for by the SOLBERG Variable Range Pump Proportioner, by injecting a carefully calibrated increased quantity of foam concentrate into the piping.

Dimensional Information





Performance Information

Model SVRPP	6.0" (152 mm)	8.0" (203 mm)
Size	DN 150	DN 200
Foam Inlet Female	R 2.0" (51 mm)	R 2.5" (64 mm)
Flow Range	18-1850 gpm (70-7000 lpm)	40-3963 gpm (150-15000 lpm)
Connection Water	6.0" between flange, DIN PN-16	8.0" between flange, DIN PN-16
Connection Foam	2.0" (51 mm) Female BSP	2.5" (64 mm) Female BSP
Proportioning Rate (pre-calibrated)	SOLBERG Foam Concentrates	SOLBERG Foam Concentrates
Inlet Pressure (max)	232 psi (16 bar)	232 psi (16 bar)
Inlet Pressure (min)	73 psi (5 bar)	73 psi (5 bar)
Pipe Length Upstream	30.0" (762 mm)	40.0" (1000 mm)
Pipe Length Downstream	30.0" (762 mm)	40.0" (1000 mm)
Flange Type	DIN PN16	DIN PN16
Between Flange Proportions (Dimension A)	2.75" (69 mm)	3.5" (88 mm)
Height (Dimension B)	13.0" (330 mm)	17.0" (430 mm)

Note: Over pressurization of 14.5 psi (1 bar) minimum is required on the foam concentrate side.

Ordering Information

RATIO CONTROLLERS / VARIABLE RANGE		APPROXIMATE SHIPPING WEIGHT	
PART NO.	DESCRIPTION	lb	kg
30202	Ratio Controller - Variable Range Pump Proportioner, Model SVRPP 6.0" (152 mm)	35	16
30203	Ratio Controller - Variable Range Pump Proportioner, Model SVRPP 8.0" (203 mm)	106	48





NOTICE: Perimeter Solutions makes no representations or warranties as to the completeness or accuracy of the information included herein. The information contained herein is not intended to provide regulatory, legal or expert advice relating to the products, its application or uses. Nothing contained herein is to be construed as a recommendation to use any product, process, equipment or formulation in conflict with any industrial property or intellectual property rights, and Perimeter Solutions makes no representation or warranty, express or implied, that the use thereof will not infringe on any industrial property or intellectual property rights. NO REPRESENTATIONS OR WARRANTIES, EITHER EXPRESSED OR IMPLIED, OF MERCHANTABILITY, FITNESS FOR A PARTICULAR PURPOSE OR OF ANY OTHER NATURE ARE MADE HEREUNDER WITH RESPECT TO THE INFORMATION CONTAINED HEREIN.

SOLBERGFOAM.COM

FORM NUMBER F-2012012-2

COPYRIGHT © 2013. ALL RIGHTS RESERVED.
SOLBERG, ARCTIC AND ATC ARE TRADEMARKS
OF PERIMETER SOLUTIONS OR ITS AFFILIATES.

PERIMETER SOLUTIONS

THE SOLBERG COMPANY
1520 Brookfield Avenue
Green Bay, WI 54313
USA
Tel: +1 920 593 9445

PERIMETER SOLUTIONS

AUXQUIMIA S.A.U.
Poligono de Baiña, Parcela 23
33682 Mieres (Asturias)
Spain
Tel: +34 985 24 29 45

PERIMETER SOLUTIONS

SOLBERG ASIA PACIFIC PTY LTD
3 Charles Street
St. Marys NSW 2760
Australia
Tel: +61 2 9673 5300