

S-ZF BETWEEN FLANGE INDUCTORS

HARDWARE



Features

Fixed between-flange installation

High back pressure

High suction height

Can be customized to handle various flow rates

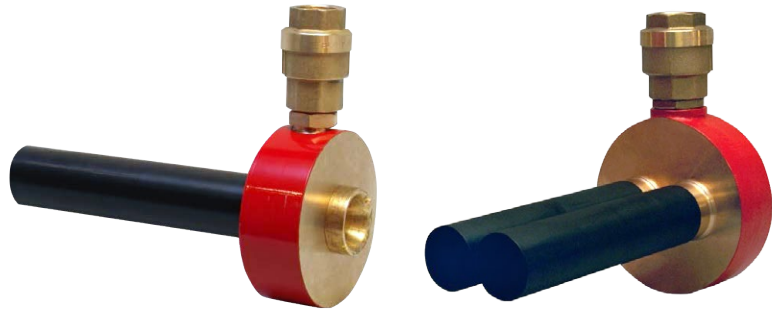
Compatible with alcohol resistant foam concentrates

Description

The SOLBERG S-ZF Inductor is used to mix foam concentrate with water when the foam concentrate is supplied from a tank at atmospheric pressure. The S-ZF inductor can be installed in deluge systems where sprinklers are used, such as aircraft hangars and storage facilities. The inductor(s) are connected to the water line.

Application

The S-ZF inductor can be installed in all fixed flow systems, especially in areas where deluge nozzles are used such as storage facilities and aircraft hangars.



Operation/Installation

The S-ZF is installed inside the pipe work between two flanges. The S-ZF works using the venturi principle (i.e., foam concentrate is sucked into the inductor without using a foam pump). Both low and high viscosity foam concentrates can be used in conjunction with the S-ZF. Depending on the requested flow, pressure, foam concentrate type and proportioning ratio, the inductor will be equipped with the exact orifice at the entry of the foam pipe. Induction performance and suction height can be adjusted up to a physical limit of approximately 26.0' (8.0 m). To ensure correct proportioning over the designed flow range of the inductor, the minimum water inlet pressure shall be 58 psi (4 bar) during operation of the system.

Note: review inductor dimension tables for information on the

minimum recommended length of straight pipe required upstream and downstream from the controller.

Optional

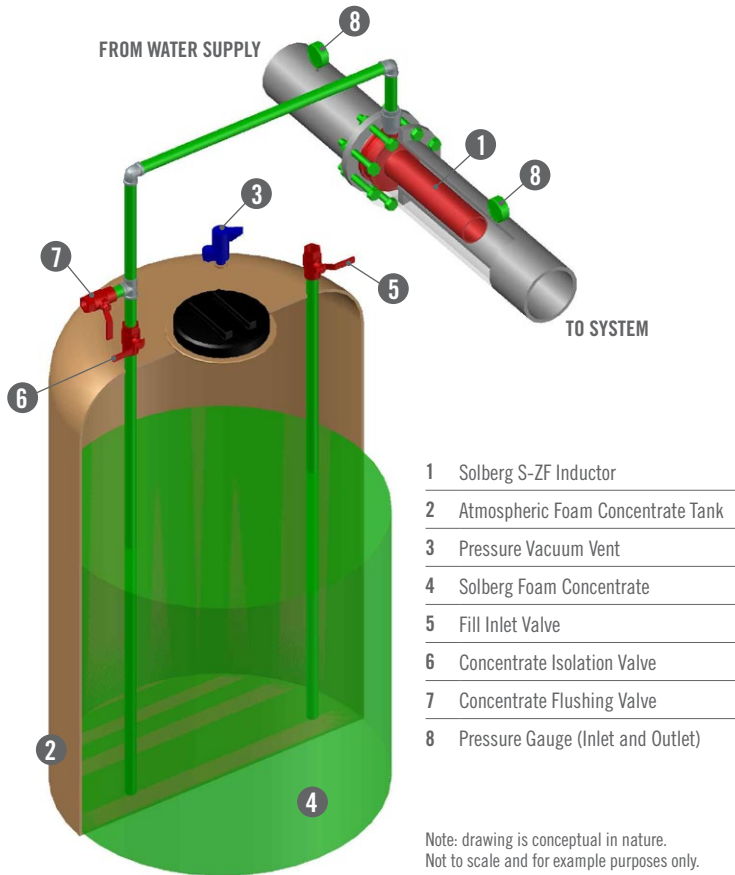
SOLBERG S-ZF inductor can be customized to handle a variety of flow rates as well as high viscous alcohol resistant concentrates.

Inductors Without Balancing Valve

To obtain a 34% pressure drop over the inductor and get the inductors proper function, the system after the inductor shall have a K-factor which is 27% higher than the K-factor of the inductor when using a 3% foam concentrate and 30.5 % higher when using a 6% foam concentrate. If the K-factor, on the system after the inductor, is less than 1.22 x the K-factor of the inductor, the suction ceases completely.

Solberg is a member of THE AMEREX GROUP, an alliance of independent companies with a singular purpose: revolutionize the course of fire suppression technology with safer, more effective, and more sustainable solutions. Together, we are Moving Industries Forward by Redefining Fire Suppression. www.solbergfoam.com

Typical Inductor Installation



Note: drawing is conceptual in nature.
Not to scale and for example purposes only.

Orifice Calculation

$$\frac{(Q_v + Q_s) \sqrt{H}}{Q_v \sqrt{0.66 H}} = A$$

Q_s = 1%, 3% or 6%

Q_v = Water flow

Q_s = Foam Concentrate flow

H = Water pressure before the inductor

A = Orifice diameter

Order Requirements

Each inductor is factory calibrated to match the specific system requirements. To ensure that the correct performance is achieved, the following parameters must be defined at time of order placement:

- Inlet pressure
- Total system flow
- Foam type & viscosity
- Mixing percentage
- Suction height
- Horizontal suction pipe length

Ordering Information

S-ZF BETWEEN FLANGE INDUCTORS

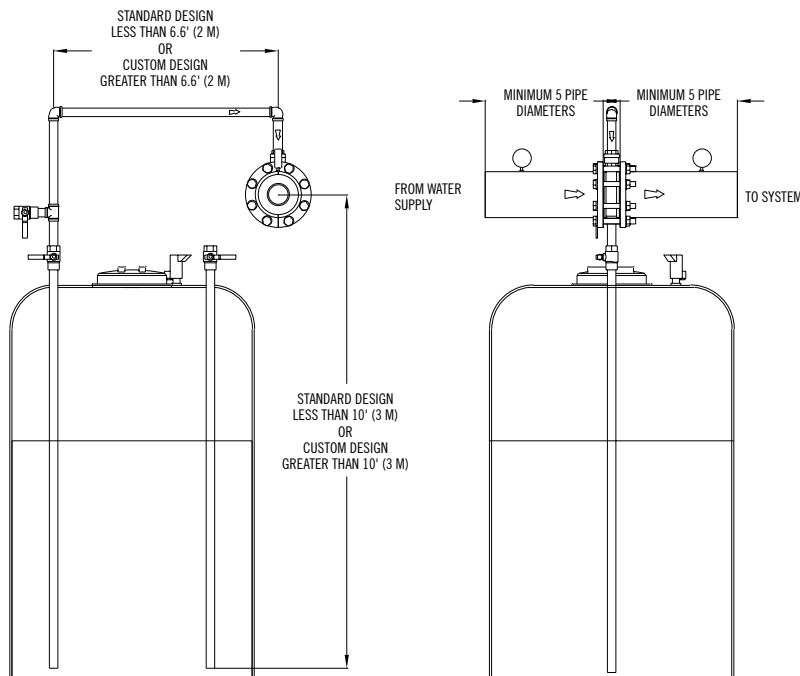
PART NO.	DESCRIPTION	APPROXIMATE SHIPPING WEIGHT	
		lb	kg
30220	S-ZF Between Flange Inductor, 1.5" (DN40)	7	3
30221	S-ZF Between Flange Inductor, 2.0" (DN50)	9	4
30222	S-ZF Between Flange Inductor, 2.5" (DN65)	9	4
30223	S-ZF Between Flange Inductor, 3.0" (DN80)	14	6
30224	S-ZF Between Flange Inductor, 4.0" (DN100)	16	7
30225	S-ZF Between Flange Inductor, 6.0" (DN150)	47	21
30226	S-ZF Between Flange Inductor, 8.0" (DN200)	89	40
30227	S-ZF Between Flange Inductor, 8.0"-S (DN201)	102	46

Inductor Specifications

Part Number	30220	30221	30222	30223	30224	30225	30226	30227
Size	1.5"	2.0"	2.5"	3.0"	4.0"	6.0"	8.0"	8.0"-S
Max Flow Rate gpm (lpm)	127 (480)	265 (1000)	423 (1600)	529 (2000)	872 (3300)	1744 (6600)	2616 (9900)	4359 (16500)
Min Flow rate gpm (lpm)	22 (80)	32 (120)	64 (240)	96 (360)	146 (550)	291 (1100)	436 (1650)	436 (1650)
Max Inlet pressure psi (bar)	233 (16)	233 (16)	233 (16)	233 (16)	233 (16)	233 (16)	233 (16)	233 (16)
Min Inlet pressure psi (bar)	59 (4)	59 (4)	59 (4)	59 (4)	59 (4)	59 (4)	59 (4)	59 (4)
Pressure drop	35%	35%	35%	35%	35%	35%	35%	35%
K Factor gpm (lpm)	2.9-8.4 (40-120)	4.2-17.4 (60-180)	8.4-27.8 (120-400)	12.5-34.7 (180-500)	19.1-57.2 (275-1000)	37.9-114.3 (550-2000)	56.8-171.4 (825-3000)	56.8-285.6 (1375-5000)
Proportioning rate	1, 3 or 6%	1, 3 or 6%	1, 3 or 6%	1, 3 or 6%	1, 3 or 6%	1, 3 or 6%	1, 3 or 6%	1, 3 or 6%
Suction height (max)	10' (3 m)	10' (3 m)	10' (3 m)	10' (3 m)	10' (3 m)	10' (3 m)	10' (3 m)	10' (3 m)
Flange type PN16*	1.5" (DN40)	2" (DN50)	2.5" (DN65)	3" (DN80)	4" (DN100)	6" (DN150)	8" (DN200)	8" (DN201)
Pipe length up & down stream	5 x \emptyset	5 x \emptyset	5 x \emptyset	5 x \emptyset	5 x \emptyset	5 x \emptyset	5 x \emptyset	5 x \emptyset
Weight lbs (kg)	7 (3)	9 (4)	9 (4)	14 (6)	16 (7)	47 (21)	89 (40)	102 (46)
Material	Bronze	Bronze	Bronze	Bronze	Bronze	Bronze	Bronze	Bronze

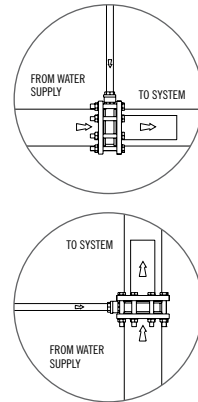
* 4.0" to 8.0" size flange fits ANSI #150 but 1.5", 2.0", 2.5" and 3.0" needs machining to fit

TYPICAL DESIGN LAYOUT



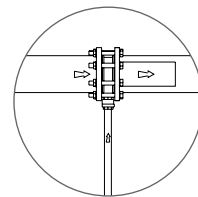
Note: drawing is conceptual in nature. Not to scale and for example purposes only.

ADVISABLE POSITIONS



NON-ADVISABLE POSITION

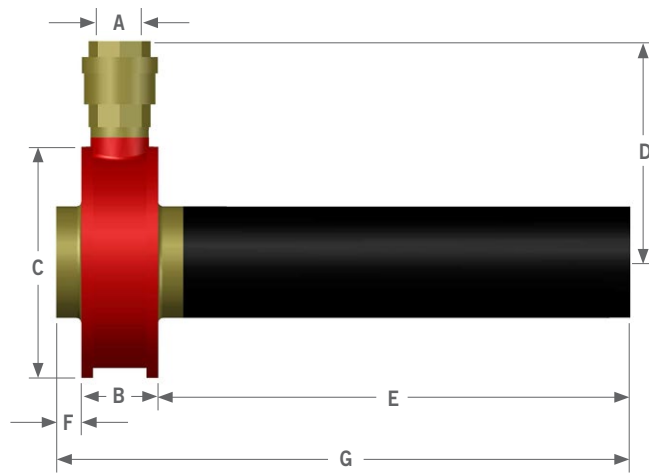
(Dirt can collect on the check valve in this position)



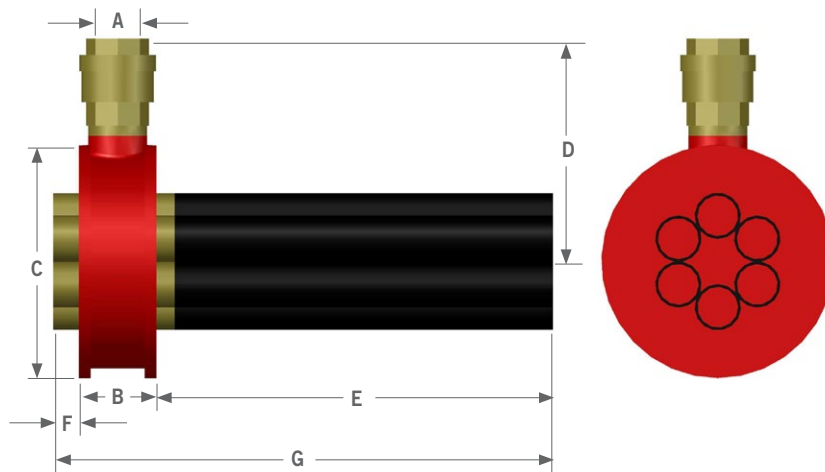
Dimensional Information

Part Number	APPROXIMATE DIMENSIONS Inches (Millimeters)							
	30220	30221	30222	30223	30224	30225	30226	30227
Foam inlet (A)	3/4"	3/4"	1"	1"	1½"	2"	2½"	3"
Between Flange Proportions (B)	1.5 (38)	1.5 (38)	1.8 (45)	2.1 (52)	2.3 (58)	2.8 (70)	3.4 (85)	3.4 (85)
Body size (C)	3.6 (91)	4.2 (106)	5 (126)	5.7 (143)	6.3 (160)	8.5 (215)	10.7 (270)	10.7 (270)
Height (D)	4.5 (112)	4.8 (120)	5.4 (137)	5.9 (148)	7.4 (187)	9.1 (230)	13.4 (340)	14.6 (370)
Length (E)	8.8 (223)	8.8 (223)	14.2 (360)	14.2 (360)	13.6 (343)	13.2 (335)	13 (330)	13 (330)
Length (F)	0.5 (12)	0.5 (12)	0.6 (15)	0.4 (9)	0.8 (20)	1 (25)	0.8 (20)	0.6 (15)
Total Length (G)	10.8 (273)	10.8 (273)	16.6 (420)	16.6 (421)	16.6 (421)	17 (430)	17.2 (435)	17 (430)

SINGLE BARREL

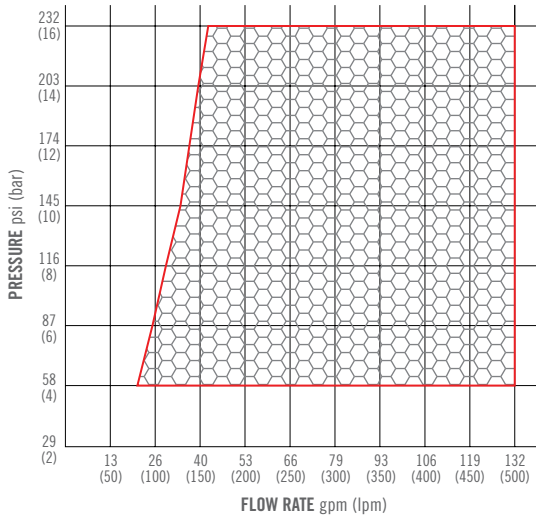


MULTIPLE BARREL

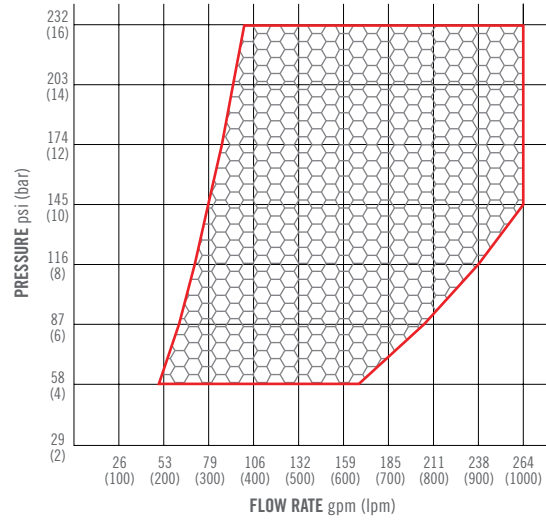


Pressure Loss Curves

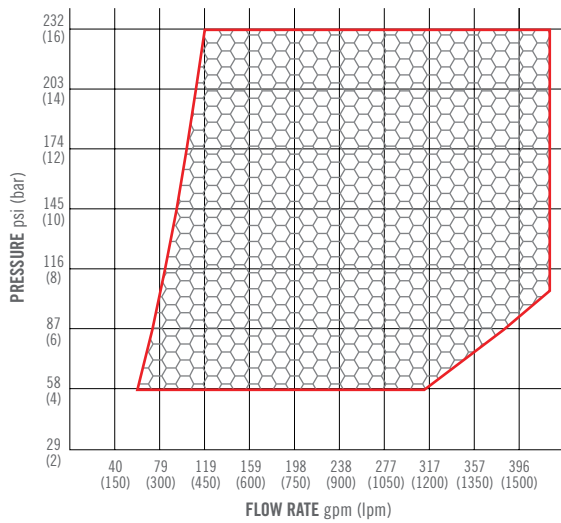
S-ZF 1.5"



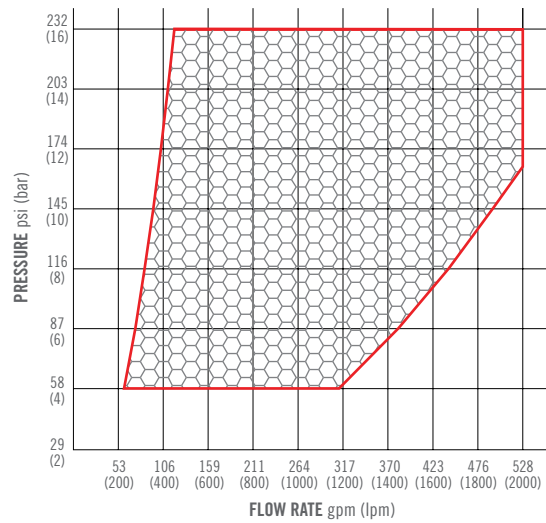
S-ZF 2.0"



S-ZF 2.5"

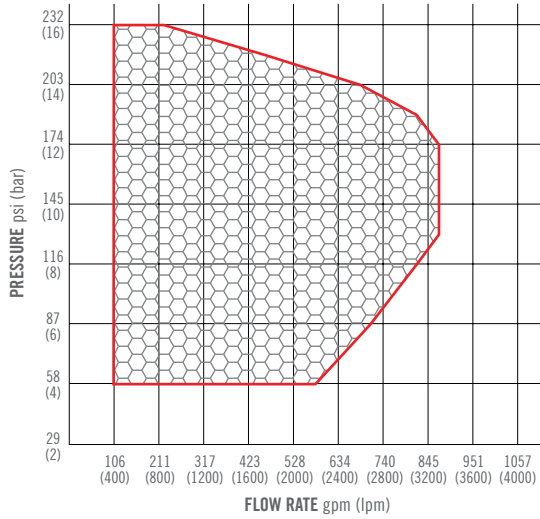


S-ZF 3.0"

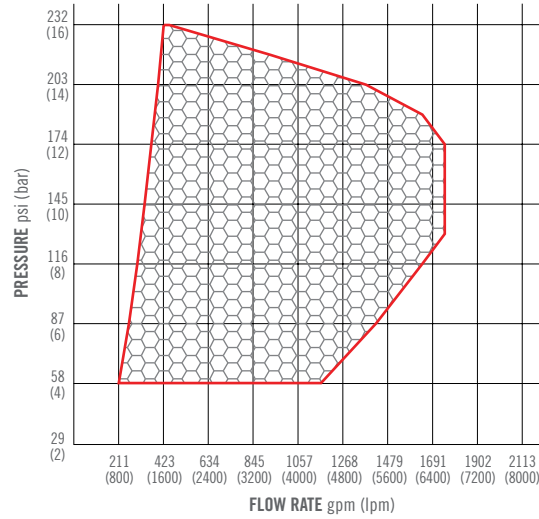


Pressure Loss Curves

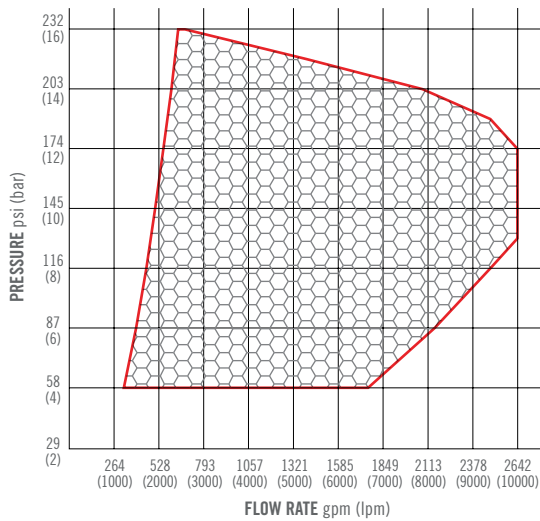
S-ZF 4.0"



S-ZF 6.0"



S-ZF 8.0"



S-ZF 8.0" S

