

## MOBILE FOAM CART (POLYETHYLENE TANK)

# HARDWARE



### Features

**One person operation**

**Rugged frame**

**35 gallon (130 litres)  
polyethylene tank**

**1.5" or 2.5", inline eductor,  
mounted**

**Hose storage rack capable of  
holding 50 ft (15 m) fire hose**

**Heavy duty industrial 16.0" x 4.0"  
(406 mm x 102 mm) wheels  
and tires**

### Description

The SOLBERG® Mobile Foam Cart is designed and constructed for one-person operation. This foam station can function at its full potential quickly in an emergency situation.

Foam concentrate is stored in a 35 gallon (130 litres) polyethylene tank equipped with a 66 gpm (250 lpm), 106 gpm (400 lpm) or 211 gpm (800 lpm) eductor and pick-up tube. The pick-up tube is connected to the tank and utilizes a metering device to determine what percentage of foam concentrate is introduced into the water stream. On the inlet of the eductor, a supply

fire hose is connected that delivers water from an independent source. A fire hose and discharge nozzle are connected to the outlet. When in operation, water flows through the eductor creating a vacuum that draws foam concentrate out of the tank to the metering valve of the eductor and into the water stream, delivering foam solution to the nozzle.

**Note: gpm (lpm) of nozzle and eductor must match or unit will not operate as intended.**

### Application

The SOLBERG Foam Cart is designed to provide firefighting capabilities to multiple hazard areas containing Class B fuels. Common high-hazard high-risk areas include:

- Flammable liquid storage
- Mining operations
- Paint storage areas
- Tank farms
- Wood manufacturing/processing areas

### Specifications

The foam cart consists of a 35 gallon (130 litre) polyethylene foam concentrate tank. The frame is constructed of carbon steel tube



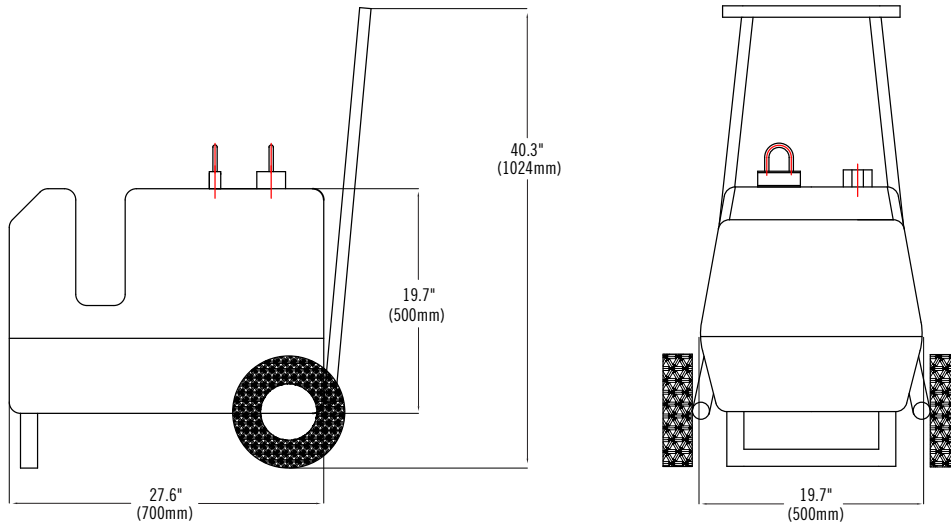
and angle. Eductor material is brass. The eductor is either a 1.5" (38mm) or 2.5" (63mm) inline eductor with pick-up tube and metering valve for adjustment of 3% or 6% proportioning. One 50 ft (15 m) hose length with threaded couplings is provided. The inlet hose is 1.5" x 50' (38 mm x 15 m) or 2.5" x 50' (63 mm x 15 m) coupled and the outlet hose is 1.5" x 50' (38 mm x 15 m) or 2.5" x 50' (63 mm x 15 m) depending on model type. Handline nozzle is included. Alternative (customer supplied) handline nozzles capable for use with the foam cart include medium expansion, air-aspirated or non-air aspirated nozzles with the same gpm (lpm) as the eductor.

**Solberg is a member of THE AMEREX GROUP, an alliance of independent companies with a singular purpose: revolutionize the course of fire suppression technology with safer, more effective, and more sustainable solutions. Together, we are Moving Industries Forward by Redefining Fire Suppression. [www.solbergfoam.com](http://www.solbergfoam.com)**

**Options**

- STORZ fittings
- 1.5" x 50' hose (38 mm x 15 m)
- 2.5" x 50' hose (64 mm x 15 m)
- 66, 106 or 211 gpm (250, 400 or 800 lpm) by-pass manifold – stainless steel
- Hydrant-spanner wrench set
- For use with Solberg foam concentrates (RE-HEALING™, ARCTIC™, FIRE-BRAKE™)
- Vinyl cover

**Dimensional Information**



**Ordering Information**

**MOBILE FOAM CART**

**PART NO. DESCRIPTION**

PART NO.	DESCRIPTION	APPROXIMATE SHIPPING WEIGHT		APPROXIMATE CUBE
		lb	kg	L x D x H
33002	Mobile Foam Cart, Polyethylene Tank, 35 gallon (130 litre), 66 gpm (250 lpm)	154	70	25" x 30" x 55" 635mm x 762mm x 1400mm
33003	Mobile Foam Cart, Polyethylene Tank, 35 gallon (130 litre), 106 gpm (400 lpm)	154	70	
33004	Mobile Foam Cart, Polyethylene Tank, 35 gallon (130 litre), 211 gpm (800 lpm)	156	71	

SOLBERGFOAM.COM

FORM NUMBER F-2013012 -1  
 COPYRIGHT © 2013. ALL RIGHTS RESERVED.  
 SOLBERG®, RE-HEALING™, ARCTIC™ AND FIRE-BRAKE™ ARE TRADEMARKS OF THE SOLBERG COMPANY OR ITS AFFILIATES.

**AMERICAS**  
 THE SOLBERG COMPANY  
 1520 Brookfield Avenue  
 Green Bay, WI 54313  
 USA  
 Tel: +1 920 593 9445

**EMEA**  
 SOLBERG SCANDINAVIAN AS  
 Radøyvegen 721 - Olsvollstranda  
 N-5938 Sæbøvågen  
 Norway  
 Tel: +47 56 34 97 00

**ASIA-PACIFIC**  
 SOLBERG ASIA PACIFIC PTY LTD  
 3 Charles Street  
 St. Marys NSW 2760  
 Australia  
 Tel: +61 2 9673 5300