

FOAM MAKERS

HARDWARE



Features

Stainless steel construction for corrosive environments

Air inlets covered with stainless steel mesh to protect against blockage and damage

Inlet orifice machined and sized to match specific flow and pressure rates

Multiple sizes available

Supplied with Standard NPT threaded female inlet and male outlet

Description

SOLBERG® Foam Makers (SFM) are available in various models with nominal flow rates ranging from 6 - 300 gpm (25 - 1136 lpm) at 30 - 150 psi (2 - 10 bar) with threaded inlets and outlets. The stainless steel discharge tube incorporates a mixing barrel, an orifice plate (sized for the required flow at a given pressure) and an air

inlet to allow air into the foam solution stream to generate expanded foam. The foam maker is normally installed in the line of a semi-fixed or fixed foam fire protection system.

Application

SOLBERG Foam Makers are air-aspirating foam discharge devices used primarily for the protection of the seal area of open top floating roof storage tanks and dike areas around storage tanks. Additional applications include protection of spill hazards and diked flammable liquid storage areas.

Foam Makers are used with numerous types of proportioning systems including atmospheric tanks, bladder tanks, balanced pressure pump proportioning systems or line proportioners.

SOLBERG Foam Makers can be used with RE-HEALING and ARCTIC foam concentrates for the suppression of Class B flammable liquids.



Flow Range

The flow rate of a SOLBERG Foam Maker is determined by the orifice size and inlet pressure. The flow rates listed in the following table are based on the minimum operating pressure of 30 psi (2 bar) and the maximum operating pressure of 150 psi (10 bar) required for satisfactory operation*.

Certifications

FM Approved per Approval Standard 5130 (*see FM Approval Guide).

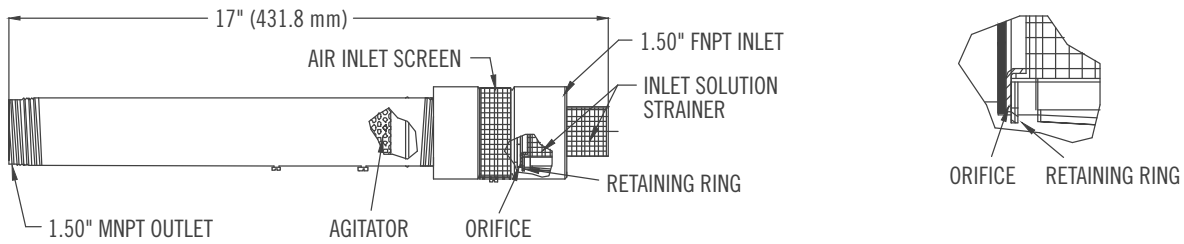
Solberg is a member of THE AMEREX GROUP, an alliance of independent companies with a singular purpose: revolutionize the course of fire suppression technology with safer, more effective, and more sustainable solutions. Together, we are Moving Industries Forward by Redefining Fire Suppression. www.solbergfoam.com

Dimensional Information

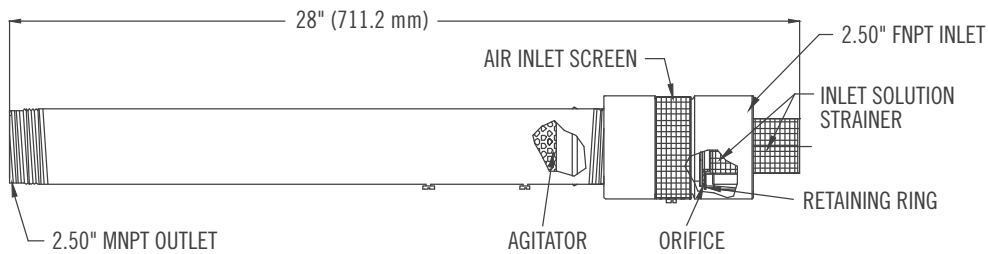
MODEL	CONCENTRATE	FLOW RATE (MIN - MAX)	PRESSURE (MIN - MAX)	APPROXIMATE DIMENSIONS Inches (Millimeters)		
				INLET	OUTLET	LENGTH
SFM - 1.5	RE-HEALING RF3, 3%	34 - 68 gpm (129 - 257 lpm)	40 - 150 psi (3 - 10 bar)	1.5 (38)	1.5 (38)	17.0 (432)
SFM - 2.5†		102 - 197 gpm (386 - 746 lpm)	40 - 150 psi (3 - 10 bar)	2.5 (64)	2.5 (64)	28.0 (711)
SFM - 1.5*	ARCTIC 3x3% ATC	35 gpm (132 lpm)	42 psi (3 bar)	1.5 (38)	1.5 (38)	17.0 (432)
SFM - 1.5*		60 - 75 gpm (227 - 284 lpm)	100 - 150 psi (7 - 10 bar)	1.5 (38)	1.5 (38)	17.0 (432)
SFM-DT30, 1.5		25 - 56 gpm (95 - 212 lpm)	98 - 150 psi (7 - 10 bar)	1.5 (38)	1.5 (38)	17.0 (432)
SFM - 2.5		N/A	N/A	2.5 (64)	2.5 (64)	28.0 (711)
SFM-DT30, 1.5	ARCTIC 3x3% CG ATC	20 gpm (76 lpm)	150 psi (10 bar)	1.5 (38)	1.5 (38)	17.0 (432)

Note: † non-UL Listed, non-FM Approved. * FM Approval Guide hydrocarbon fuels only.

MODEL SFM-1.5



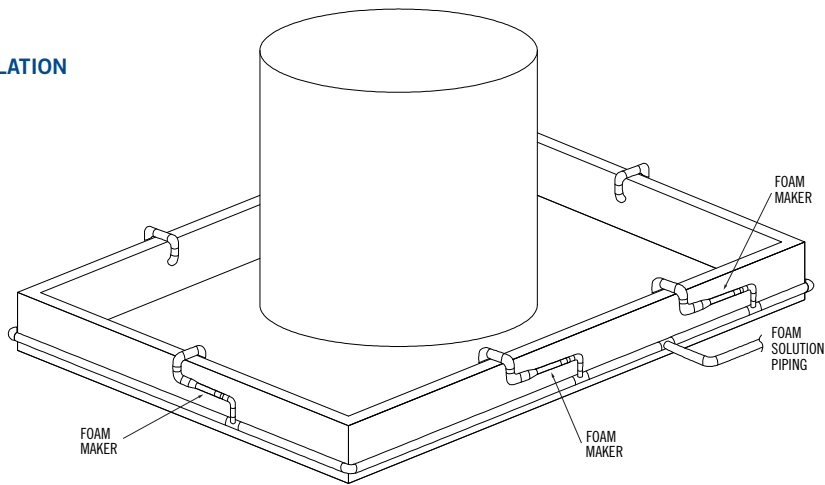
MODEL SFM-2.5



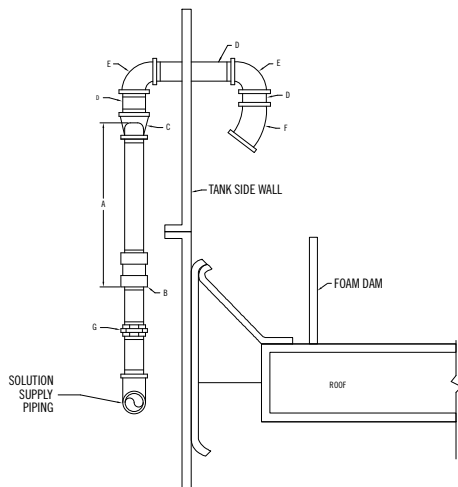
MODEL	"K" FACTOR RANGE
SFM-1.5	1.8 - 12.2
SFM-2.5	18.2 - 24.49
SFM-DT30, 1.5	2.5 - 4.6



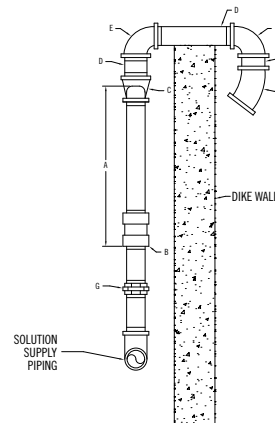
TYPICAL DIKED PROTECTION INSTALLATION



FLOATING ROOF TANK INSTALLATION



DIKED AREA INSTALLATION



APPROXIMATE DIMENSIONS Inches (Millimeters)

A	B	C	D	E	F	G
SFM - 1.5 (38)	1.5 - 11.5 (38-292) NPT	1.5 x 2.5 (38 x 64) Red. Coup.	2.5 (64) Nipple	2.5 (64) 90° Elbow	2.5 (64) 45° Elbow	1.5 (38) Union
SFM - 2.5 (64)	2.5 - 8 (64-203) NPT	2.5 x 4 (64 x 102) Red. Coup.	4 (102) Nipple	4 (102) 90° Elbow	4 (102) 45° Elbow	2.5 (64) Union
SFM-DT30, 1.5 (38)	1.5 - 11.5 (38 - 292) NPT	1.5 x 2.5 (38 x 64) Red, Coup.	2.5 (64) Nipple	2.5 (64) 90° Elbow	2.5 (64) 45° Elbow	1.5 (38) Union

Note: This information provides only general guidelines. Each installation may require modifications to meet specific requirements or application(s). The Solberg Company reserves the right to change any portion of this information without notice.

Ordering Information

FOAM MAKERS

PART NO. DESCRIPTION

APPROXIMATE SHIPPING WEIGHT
lb kg

32154	Foam Maker, Model SFM-1.5	7	3
32155	Foam Maker, Model SFM-2.5	8	4
32156	Foam Maker, Model SFM-DT30, 1.5	7	3



SOLBERGFOAM.COM

FORM NUMBER F-2012025-3

COPYRIGHT © 2014. ALL RIGHTS RESERVED.
SOLBERG®, RE-HEALING™ AND ARCTIC™ ARE TRADEMARKS
OF THE SOLBERG COMPANY OR ITS AFFILIATES.

AMERICAS

THE SOLBERG COMPANY
1520 Brookfield Avenue
Green Bay, WI 54313
USA
Tel: +1 920 593 9445

EMEA

SOLBERG SCANDINAVIAN AS
Radøyvegen 721 - Olsvollstranda
N-5938 Sæbøvågen
Norway
Tel: +47 56 34 97 00

ASIA-PACIFIC

SOLBERG ASIA PACIFIC PTY LTD
3 Charles Street
St. Marys NSW 2760
Australia
Tel: +61 2 9673 5300