



FOAM MAKERS

HARDWARE

Features

Stainless steel construction for corrosive environments

Air inlets covered with stainless steel mesh to protect against blockage and damage

Inlet orifice machined and sized to match specific flow and pressure rates

Multiple sizes available

Supplied with Standard NPT threaded female inlet and male outlet

Description

SOLBERG® Foam Makers (SFM) are available in various models with nominal flow rates ranging from 25 - 1136 l/min (6 - 300 gpm) at 2 - 10 bar (30 - 150 psi) with threaded inlets and outlets. The stainless steel discharge tube incorporates a mixing barrel, an orifice plate (sized for the required flow at a given pressure) and an air inlet to allow air into the foam solution stream to generate expanded

foam. The foam maker is normally installed in the line of a semi-fixed or fixed foam fire protection system.

Application

SOLBERG Foam Makers are air-aspirating foam discharge devices used primarily for the protection of the seal area of open top floating roof storage tanks and dike areas around storage tanks. Additional applications include protection of spill hazards and diked flammable liquid storage areas.

Foam Makers are used with numerous types of proportioning systems including atmospheric tanks, bladder tanks, balanced pressure pump proportioning systems or line proportioners.

SOLBERG Foam Makers can be used with RE-HEALING and ARCTIC foam concentrates for the suppression of Class B flammable liquids.



Flow Range

The flow rate of a SOLBERG Foam Maker is determined by the orifice size and inlet pressure. The flow rates listed in the following table are based on the minimum operating pressure of 2 bar (30 psi) and the maximum operating pressure of 10 bar (150 psi) required for satisfactory operation*.

Certifications

FM Approved per Approval Standard 5130 (*see FM Approval Guide).

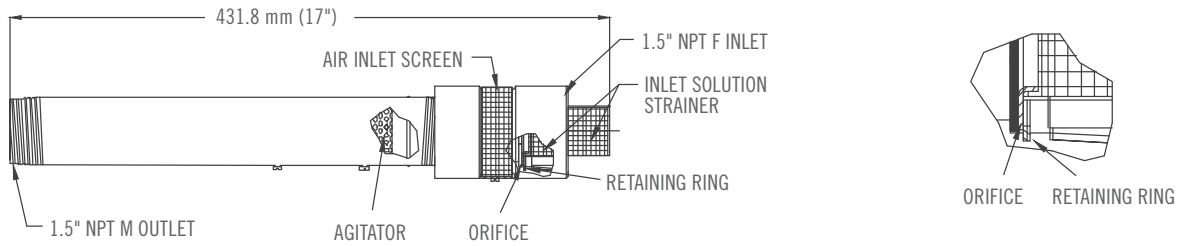
Solberg is a member of THE AMEREX GROUP, an alliance of independent companies with a singular purpose: revolutionize the course of fire suppression technology with safer, more effective, and more sustainable solutions. Together, we are Moving Industries Forward by Redefining Fire Suppression. www.solbergfoam.com

Dimensions

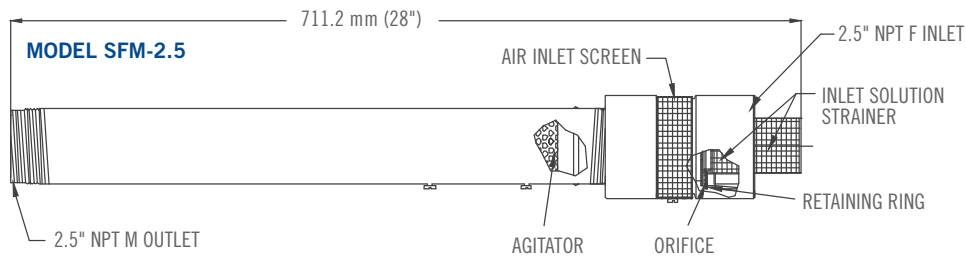
MODEL	CONCENTRATE	FLOW RATE (min - max)	PRESSURE (min - max)	APPROXIMATE DIMENSIONS millimetres (inches)		
				INLET	OUTLET	LENGTH
SFM-1.5	RE-HEALING RF3, 3%	129 - 257 l/min (34 - 68 gpm)	3 - 10 bar (40 - 150 psi)	38 (1.5)	38 (1.5)	432 (17.0)
SFM-2.5†		386 - 746 l/min (102 - 197 gpm)	3 - 10 bar (40 - 150 psi)	64 (2.5)	64 (2.5)	711 (28.0)
SFM-1.5*	ARCTIC 3x3% ATC	132 l/min (35 gpm)	3 bar (42 psi)	38 (1.5)	38 (1.5)	432 (17.0)
SFM-1.5*		227 - 284 l/min (60 - 75 gpm)	7 - 10 bar (100 - 150 psi)	38 (1.5)	38 (1.5)	432 (17.0)
SFM-DT30, 1.5		95 - 212 l/min (25 - 56 gpm)	7 - 10 bar (98 - 150 psi)	38 (1.5)	38 (1.5)	432 (17.0)
SFM-2.5		N/A	N/A	64 (2.5)	64 (2.5)	711 (28.0)
SFM-DT30, 1.5	ARCTIC 3x3% CG ATC	76 l/min (20 gpm)	10 bar (150 psi)	38 (1.5)	38 (1.5)	432 (17.0)

Note: † non-UL Listed, non-FM Approved, * FM Approval Guide hydrocarbon fuels only.

MODEL SFM-1.5



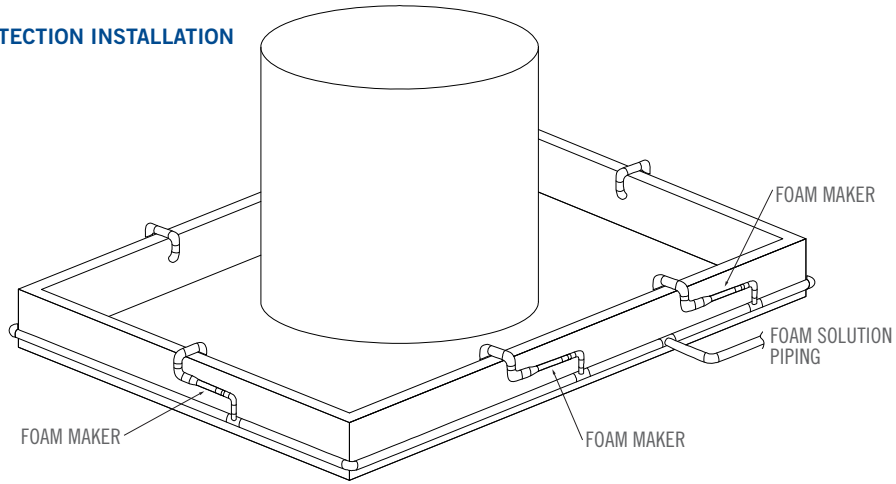
MODEL SFM-2.5



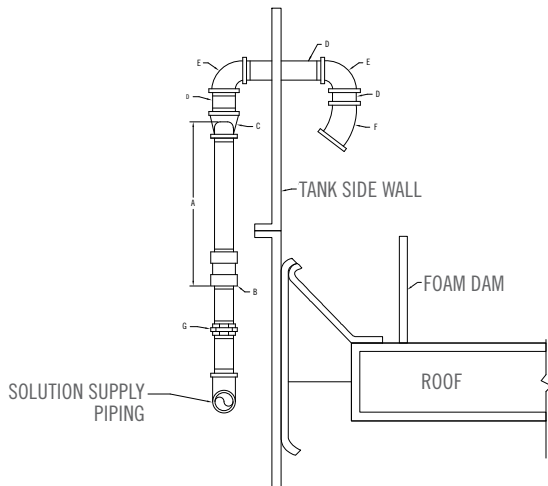
MODEL	"K" FACTOR RANGE
SFM-1.5	1.8 - 12.2
SFM-2.5	18.2 - 24.49
SFM-DT30, 1.5	2.5 - 4.6



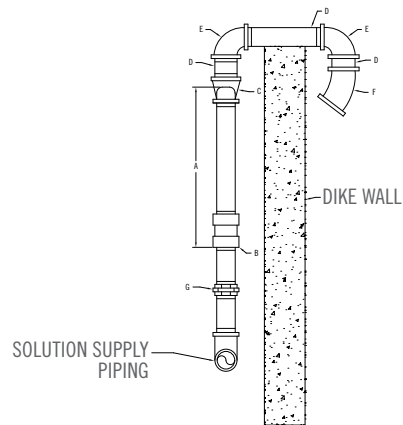
TYPICAL DIKED PROTECTION INSTALLATION



FLOATING ROOF TANK INSTALLATION



DIKED AREA INSTALLATION



APPROXIMATE DIMENSIONS millimeters (inches)

A	B	C	D	E	F	G
SFM - 38 (1.5)	38-292 (1.5 - 11.5) NPT	38x64 (1.5x2.5) Red. Coup.	64 (2.5) Nipple	64 (2.5) 90° Elbow	64 (2.5) 45° Elbow	38 (1.5) Union
SFM - 64 (2.5)	64-203 (2.5 - 8) NPT	64x102 (2.5x4) Red. Coup.	102 (4) Nipple	102 (4) 90° Elbow	102 (4) 45° Elbow	64 (2.5) Union
SFM-DT30, 38 (1.5)	38-292 (1.5 - 11.5) NPT	38x64 (1.5x2.5) Red. Coup.	64 (2.5) Nipple	64 (2.5) 90° Elbow	64 (2.5) 45° Elbow	38 (1.5) Union

Note: This information provides only general guidelines. Each installation may require modifications to meet specific requirements or application(s). The Solberg Company reserves the right to change any portion of this information without notice.



Ordering Information

FOAM MAKERS		APPROXIMATE SHIPPING WEIGHT	
PART NO.	DESCRIPTION	kg	lb
32154	Foam Maker, Model SFM-1.5	3	7
32155	Foam Maker, Model SFM-2.5	4	8
32156	Foam Maker, Model SFM-DT30, 1.5	3	7